

Ch-10 Mensuration

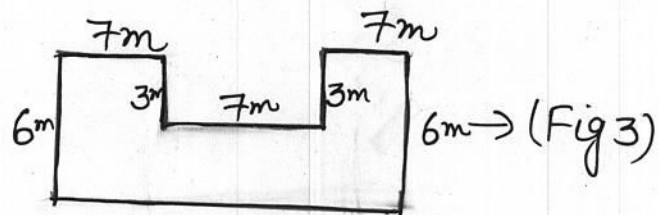
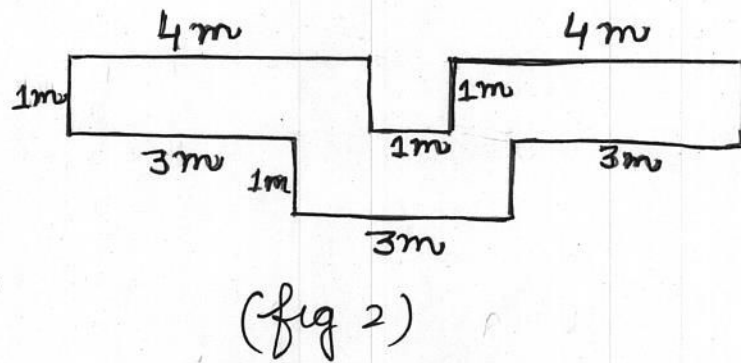
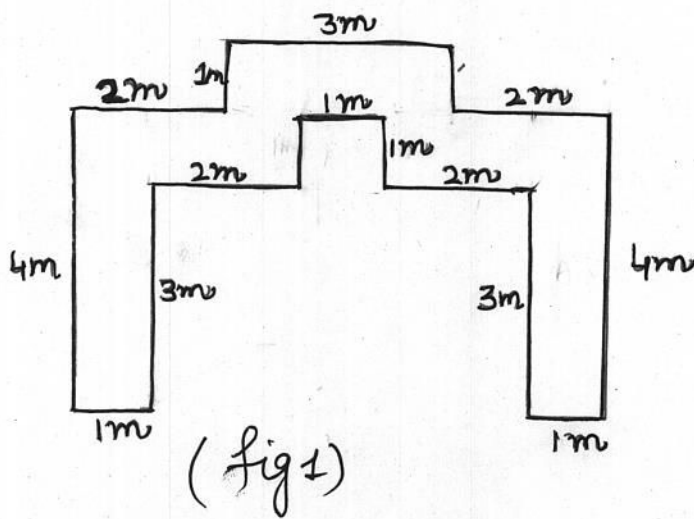
- Q1 Find the perimeter of a regular hexagon with each side measuring 4 cm.
- Q2 The perimeter of a regular heptagon is 42 m. How long is its one side?
- Q3 Find the cost of fencing a square field of side 35 m at the rate of ₹ 20 per metre.
- Q4 It takes 1 kilometre to run around a square field. Find the area of the field.
- Q5 A floor 3.2 m long and 2.8 m wide is to be covered with square shaped tiles of length 10 cm. Find the cost of flooring, if the cost of tiles is ₹ 150 per 100 tiles.
- Q6 Find the distance walked by Arshu if he walks three rounds of a square park of side 70 m.
- Q7 The length of a rectangular field is 100 m. If its perimeter is 300 m, what is its breadth?
- Q8 The dimensions of a picture are 30 cm x 20 cm. What length of wooden frame is needed to frame the picture?
- Q9 A square piece of land has each side equal to 100 m. If three layers of metal wire are to be used to fence it, what is the length of the wire needed?

Q10 The length of a rectangular field is 60m and the breadth is $\frac{3}{4}$ th of its length. Find the area of the field.

Q11 A room is 15m long and 9.5m wide. If 11m square carpet is laid on the floor, then find the area which is left uncarpeted?

Q12 Find the area of a square park whose perimeter is 48m

Q13



Find the area of the above figures by splitting them into rectangles and squares.

Q14 The length and breadth of a room are 10m and 4m respectively. Find the no. of square tiles of side 50cm are required to pave on the floor of the room.

Q15 How many envelopes of size 15cm x 20cm can be made out of a paper of size 4m x 6m?

x ——— x ——— x

ANSWERS

- 1) 24 cm
- 2) 6 m
- 3) 140 m, ₹ 2800
- 4) 250 m, 62500 m^2 (Hint $1 \text{ km} = 1000 \text{ m} \rightarrow (P)$
side = $\frac{P}{4}$)
- 5) (i) 896 tiles (ii) ₹ 1344 (Hint cost of 100 tiles = 150
 $1 \text{ —} = \frac{150}{100}$
 $896 \text{ —} = \frac{150 \times 896}{100}$)
- 6) 840 m
- 7) 50 m
- 8) 100 cm
- 9) 1200 m
- 10) 2700 m^2
- 11) 21.5 m^2
- 12) 144 m^2
- 13) (i) 15 sq m (ii) 11 sq m (iii) 105 sq m
- 14) 160 tiles
- 15) 800 envelopes